

SW SERIES

WOOD SPLITTER PINZA SPACCA TRONCHI

HARDOX®
IN MY BODY



➤ **LOW WEAR AND MAINTENANCE**
MINIMA USURA E BASSA MANUTENZIONE

➤ **HEAVY DUTY ROTATION**
ROTAZIONE HD DI SERIE

➤ **FRAME IN WELDOX AND BLADES IN HARDOX 450**
STRUTTURA IN WELDOX E LAME IN HARDOX 450

➤ **HARDENED PINS AND BUSHINGS WITH SPIROIL**
PERNI TEMPRATI E BOCCOLE RAGNATE

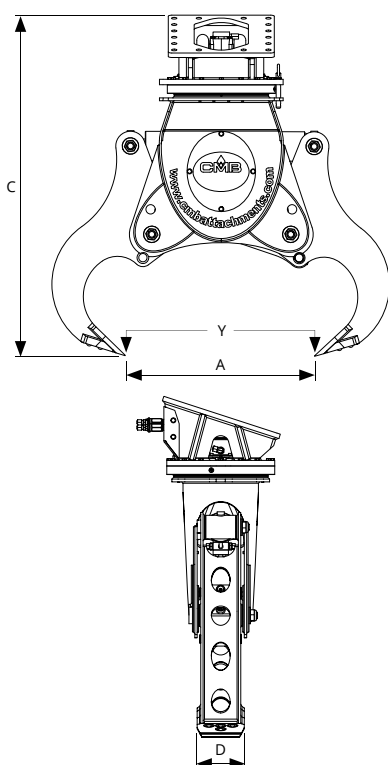
SW wood splitter is suitable for the reduction of trunk already cutted on the ground. This way volume of the wood is reduced and loading operation are fast. Furthermore the reduced wood pieces get dry faster.

> Anti friction sphere system

La pinza spaccalegna SW è un'attrezzatura realizzata per il sezionamento a terra di tronchi precedentemente tagliati. Consente di ridurre notevolmente il volume del materiale legnoso, ottimizzando e velocizzando le successive operazioni di carico, cippatura e triturazione.

> Sistema di sfere che riduce la resistenza di attrito

* Drain line advised
* Drenaggio consigliato



| SW SERIES | | SW 400 | SW 600 | *SW 800 | *SW 1000 | *SW 1200 |
|----------------------------|-------|---------|---------|----------|----------|----------|
| ATTACHMENT WEIGHT | Kg | 265 | 500 | 825 | 1450 | 2650 |
| EXCAVATOR WEIGHT | ton | 3 - 5 | 5 - 8 | 8 - 14 | 14 - 21 | 21 - 30 |
| SOFT WOOD CUTTING CAPACITY | mm | 500 | 700 | 900 | 1200 | 1400 |
| HARD WOOD CUTTING CAPACITY | mm | 400 | 600 | 800 | 1000 | 1200 |
| A | mm | 605 | 800 | 1000 | 1200 | 1850 |
| B | mm | 285 | 420 | 560 | 620 | 920 |
| C | mm | 1080 | 1470 | 1820 | 2190 | 2610 |
| D | mm | 150 | 200 | 270 | 320 | 400 |
| Y BLADE FORCE | ton | 10 | 17 | 22 | 35 | 52 |
| EXCAVATOR WORKING PRESSURE | bar | 250 | 300 | 300 | 300 | 300 |
| EXCAVATOR OIL FLOW | l/min | 20 / 40 | 40 / 80 | 40 / 100 | 40 / 80 | 40 / 80 |
| ROTATION WORKING PRESSURE | bar | 120 | 120 | 120 | 120 | 120 |
| ROTATION OIL FLOW | l/min | 10 | 10 | 10 | 15 | 20 |

Attachment-excavator couplings data are for information only, always check load diagram of the machine.